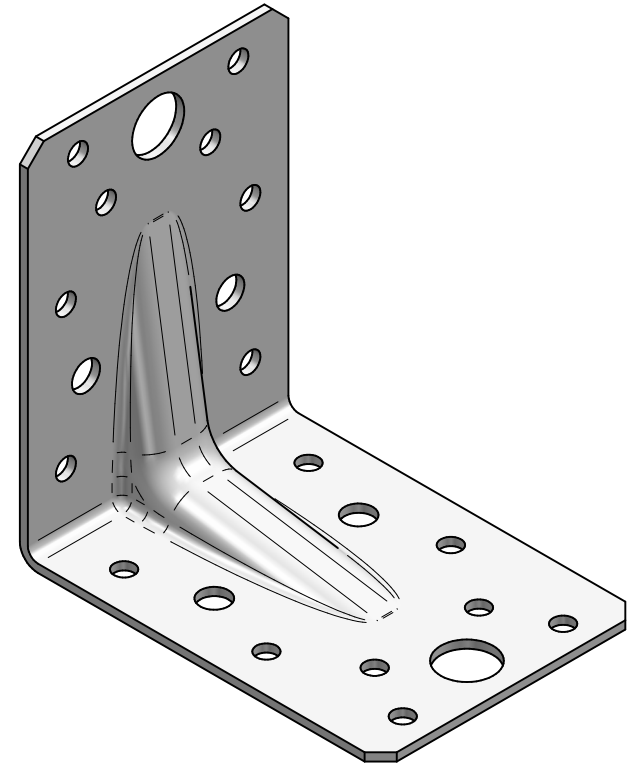


3.2/



Hole	Size	Count
A	5 mm	16
B	7 mm	4
C	13 mm	2

Product name: Angle bracket 90x90x65x2,0 reinforced
Material: A2 AISI304