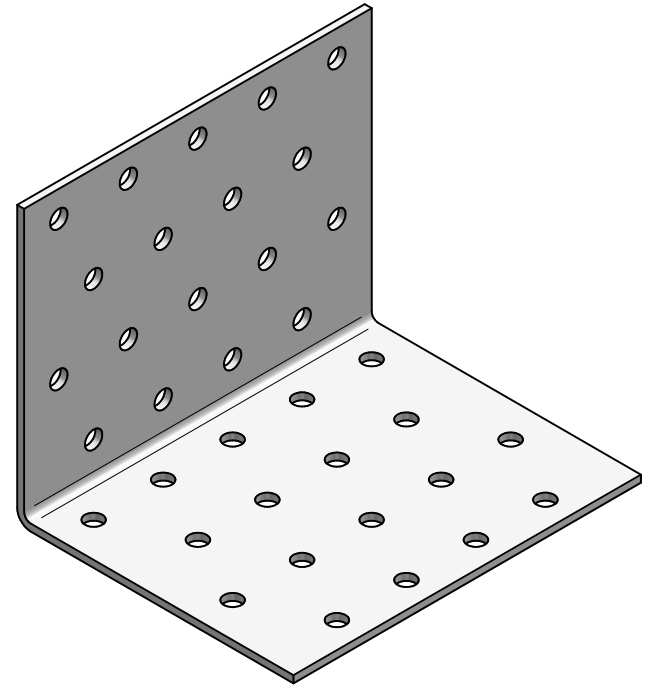
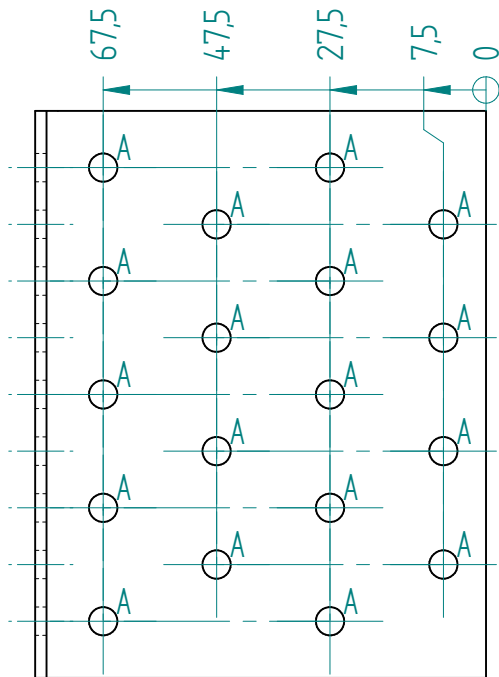


3.2



| Hole | Size | Count |
|------|------|-------|
| A | 5 mm | 36 |

Product name: Angle bracket 80x80x100x2,0
Material: HDG DX51D Z275