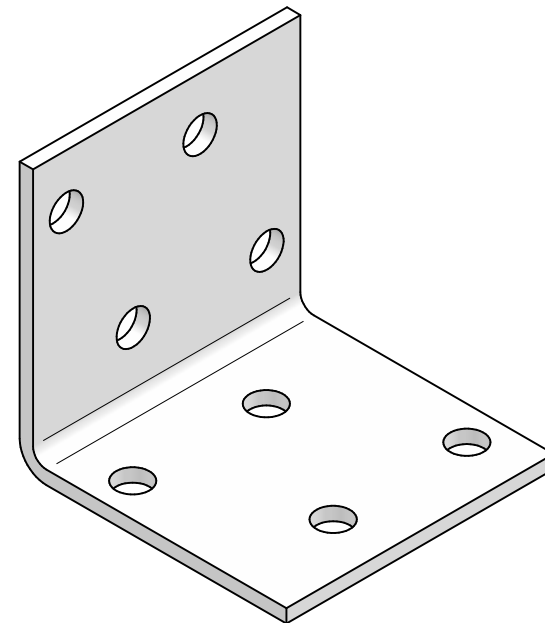


3.2



Hole	Size	Count
A	5 mm	8

**Product name:** Angle bracket 40x40x40x2,0  
**Material:** A4 AISI316