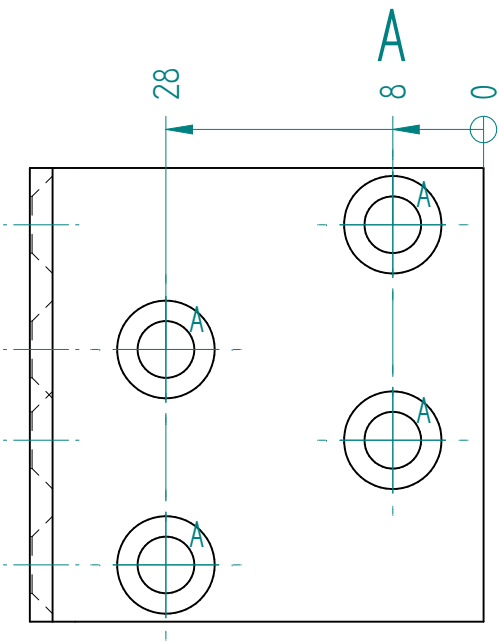
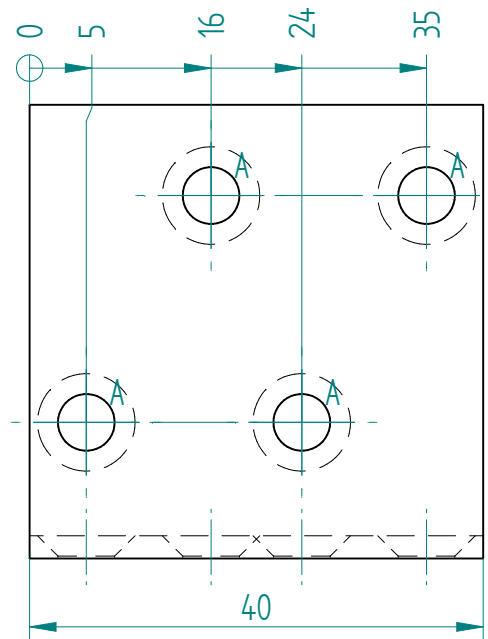
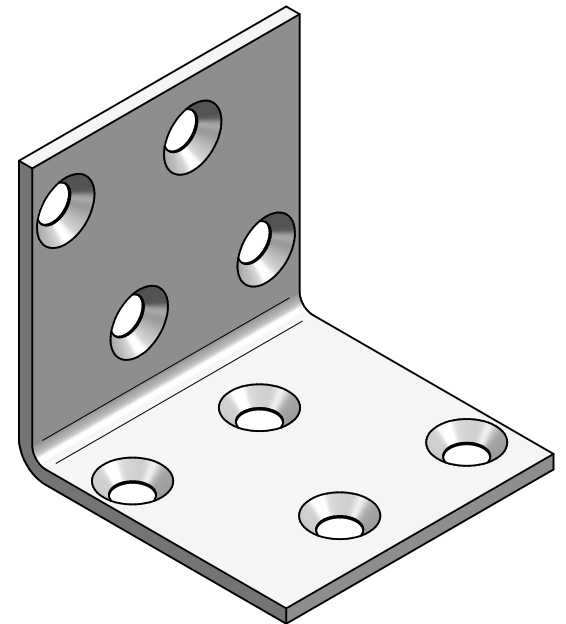


DETAIL A



3.2



Hole	Size	Count
A	5 mm	8

Product name: Angle bracket 40x40x40x2,0 phased holes
Material: HDG DX51D Z275