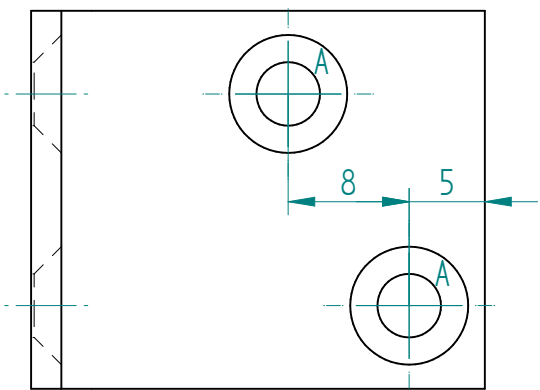
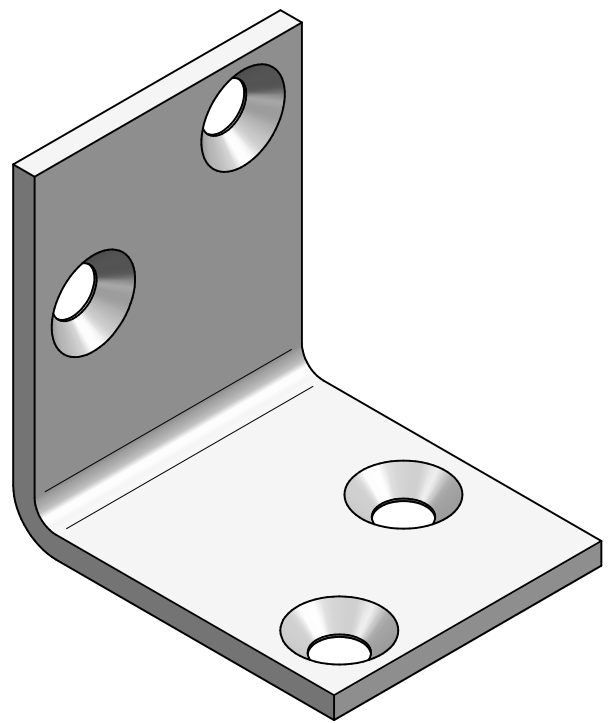
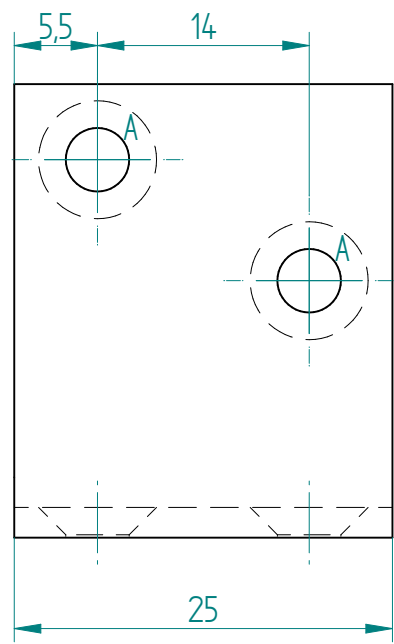
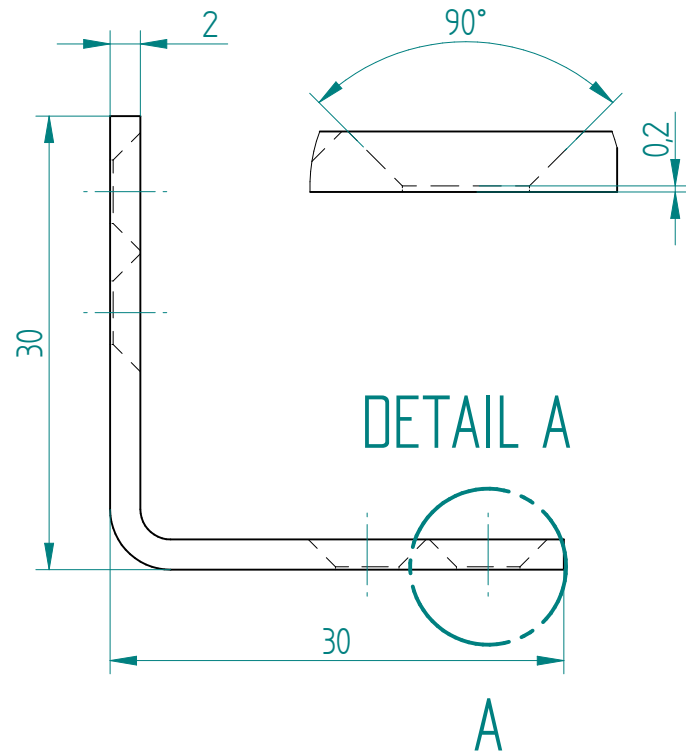


3.2/



Hole	Size	Count
A	4.2	4

**Product name:** Angle bracket 30x30x25x2,0 phased holes  
**Material:** HDG DX51D Z275+ RAL7000 Grey