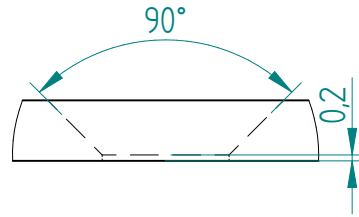
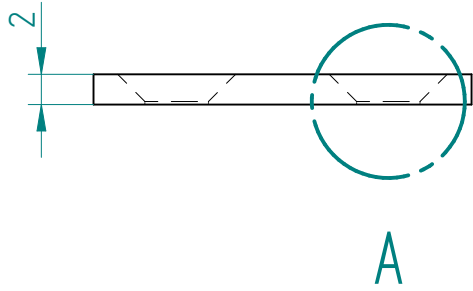
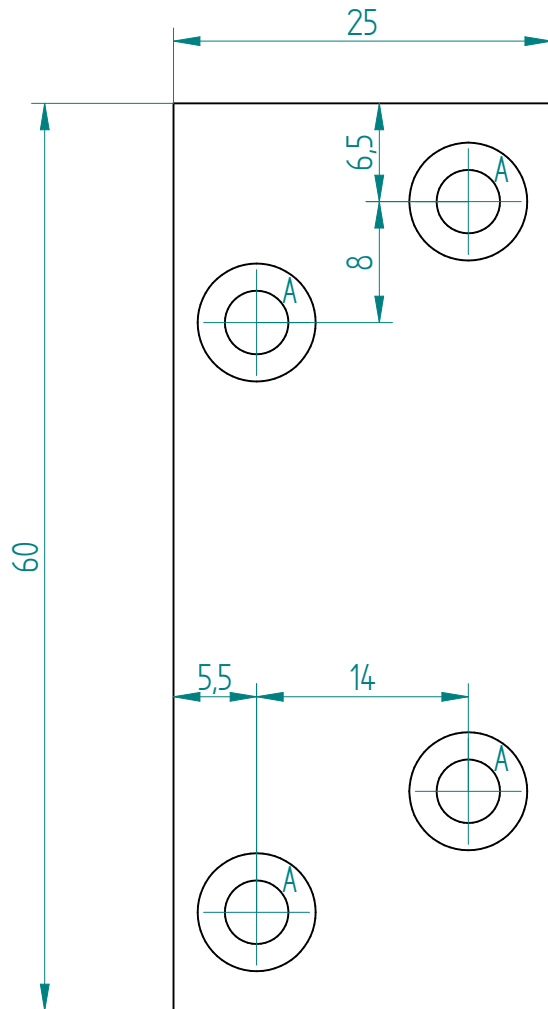
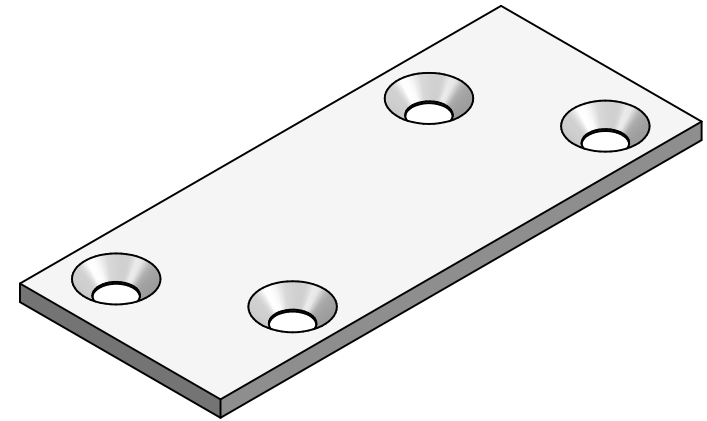


3.2



### DETAIL A



Hole	Size	Count
A	4.2	4

**Product name:** Nail plate 60x25x2,0 phased holes  
**Material:** HDG DX51D Z275+RAL9003 White