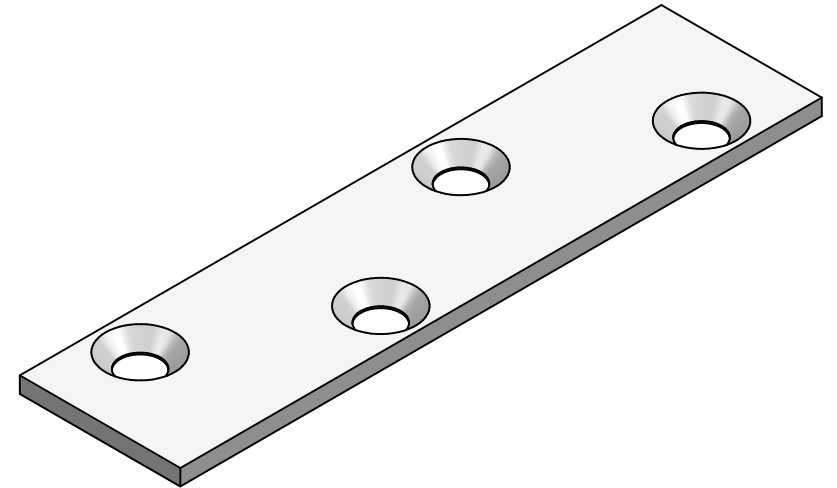


DETAIL A



3.2/

Hole	Size	Count
A	5 mm	4

Product name: Nail plate 80x20x2,0 phased holes
Material: HDG DX51D Z275+RAL9004 Black