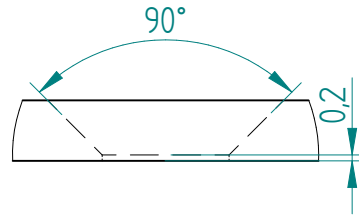
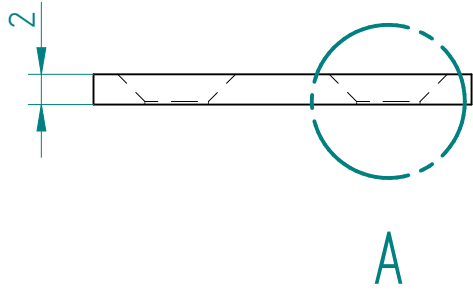
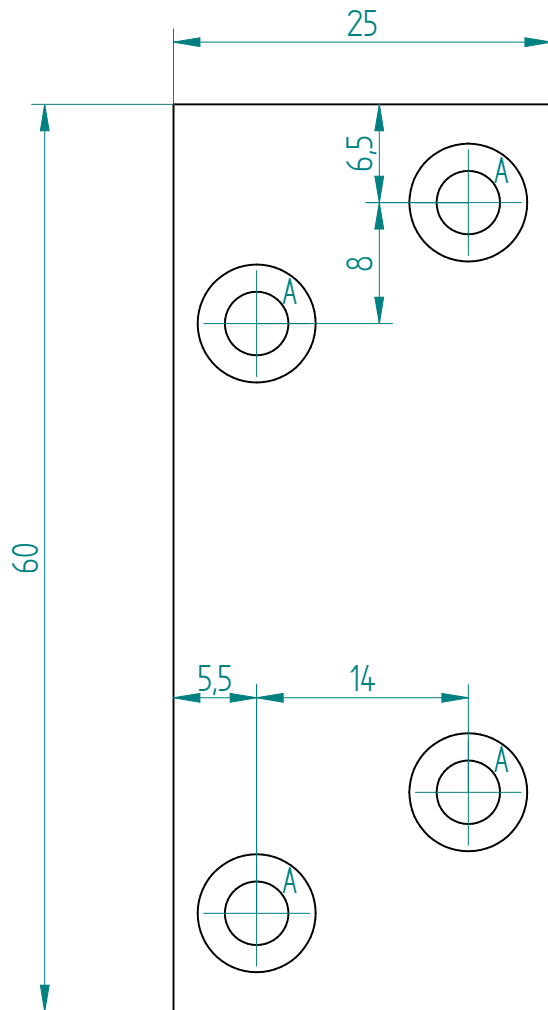
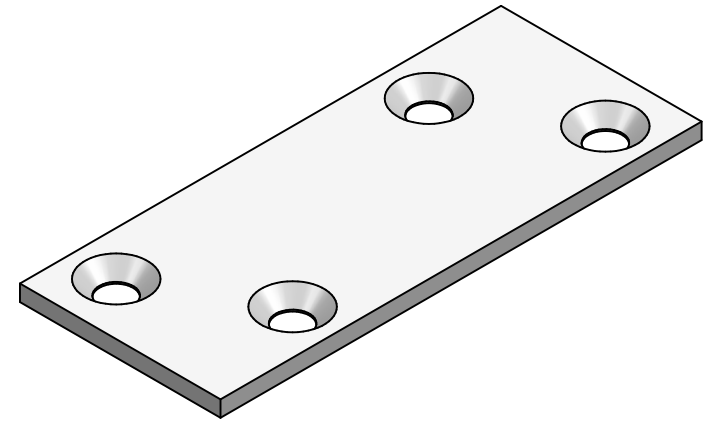


3.2



DETAIL A



Hole	Size	Count
A	4.2	4

Product name: Nail plate 60x25x2,0 phased holes
Material: HDG DX51D Z275+RAL8025 Brown